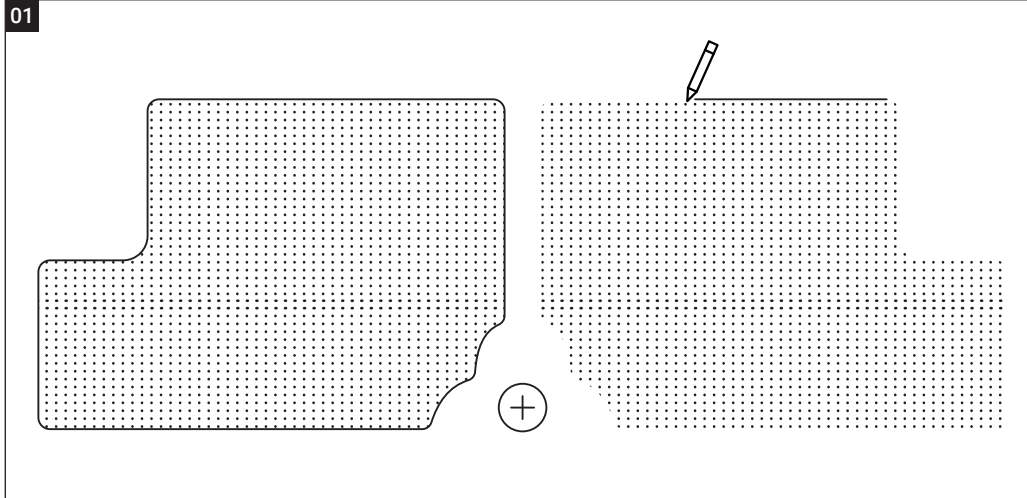
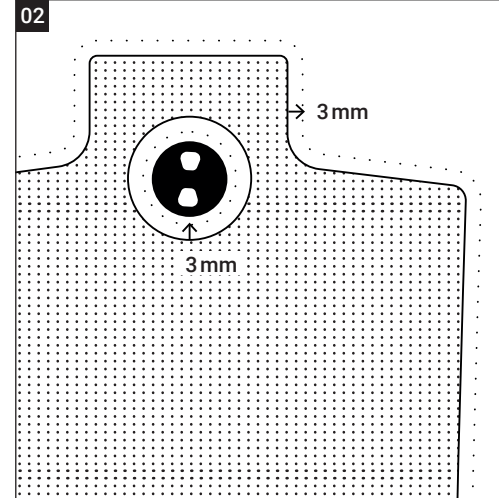


Illustration

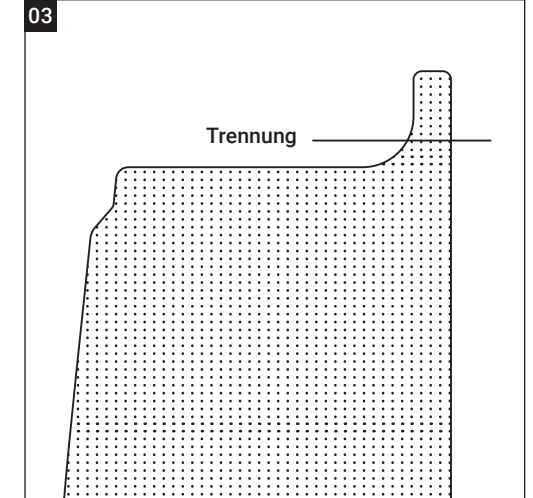
~~~~~ Drawing outline  
..... Non-skid material



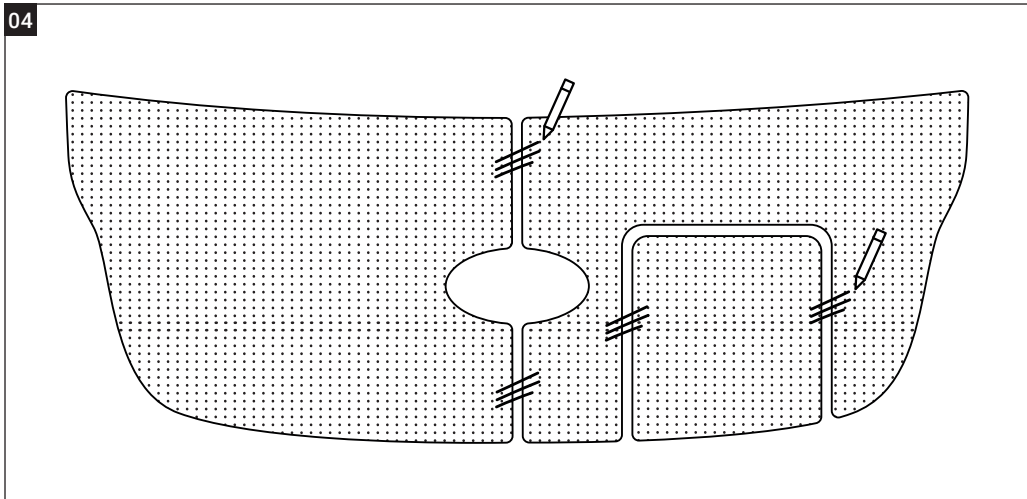
01 – Please refrain from mirroring similar or opposite surfaces, as boats are not always exactly symmetrical. Therefore, draw each surface individually.



02 – After drawing along the nonskid, please specify the material allowance to ensure an exact fit.



03 – If any part exceeds our maximum dimension, please draw a line for separation.



04 – To determine the position of all parts in relation to each other, please connect the individual templates with symmetrical strokes. In this way the teak faux can be inserted correctly by us.